

New

CE



ATT 300

- 1 ~ 3
- 3 x : 3 x 4 - 20mA 3 x 0 - 10V
- KIMO (Class200/300) 1 x RS232
- 1 x RS485 / (MODBUS)
- 22 가
- 50 x 190mm,

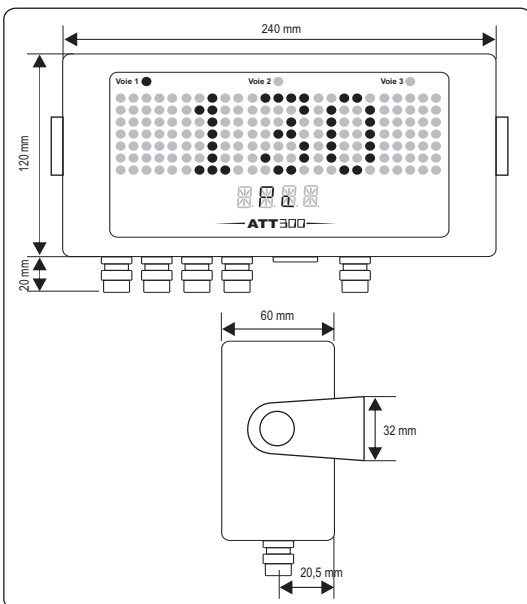
24 Vac/dc 230 Vac



ATT 300

(가)

Air velocity	m/s fpm
Airflow	m ³ /h L/s Cfm m ³ /s
Temperature	°C °F
Pressure	Pa mmH ₂ O mbar Kpa mmHg inWg PSI
Humidity	%HR g/kg (Hygro. absolue ρ) °C (Temp. de rosée Td) °F (Temp. de rosée Td) °C (Temp. humide Tw) °F (temp. humide Tw) KJ/Kg (Enthalpie i)



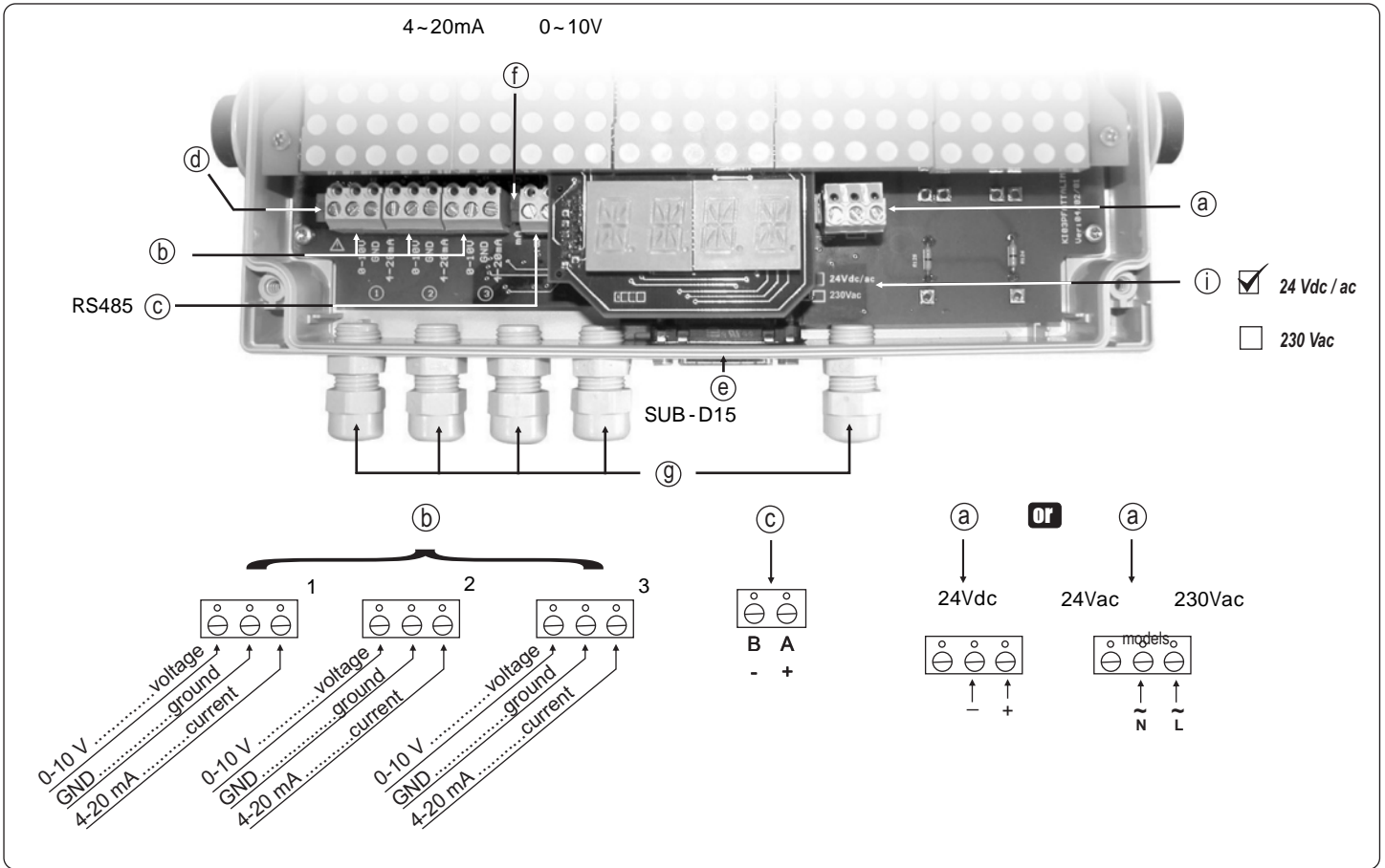
..... (75 x 190mm)

- PMMA
- 1st ()5 50 X 190mm
- 2st ()4 13 x 45mm
-0 / 0,0 / 0,00 / 0,000
--9,999 ~ 99,999 / -9999 ~ 99999
-0,1% 1
-1 ~ 3 , 3
-3 x LED
-22가 , 가
-1

-ABS, 가
-IP63
-7mm
-1000 g

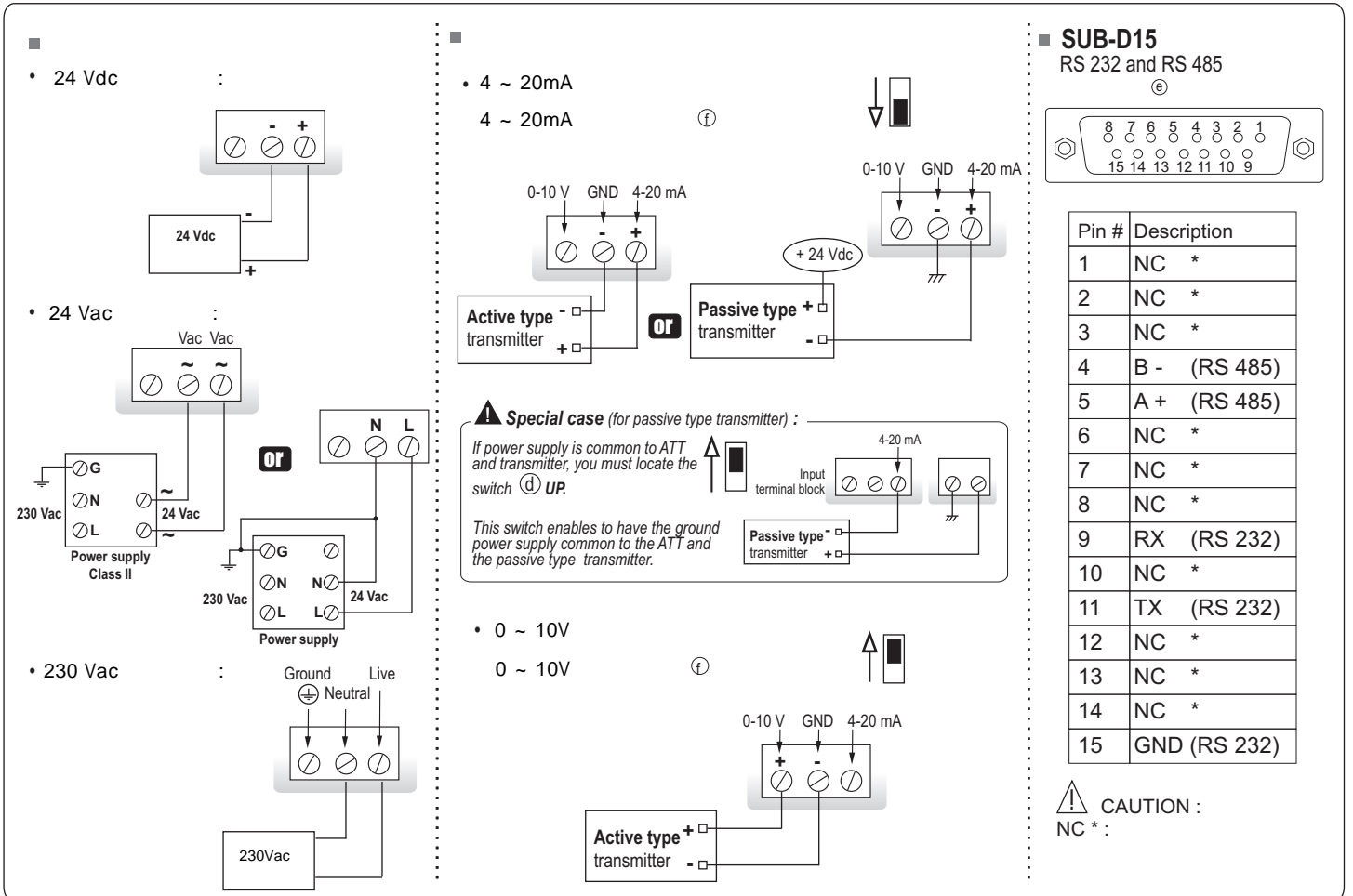
-24 Vac/Vdc ± 10%
-230 Vac ± 10%, 50-60Hz
-3 x 4-20 mA (4 wires) 3 x 0-10 V
-5 VA
-EN61 326
-Ø1.5 mm²
- RS 485 RTU Modbus
-2400 ~ 115200 Bauds
- RS 232 ASC2
-가
-- 10 ~ + 70
-0 ~ + 50

* All accuracies indicated in this technical datasheet were stated in laboratory conditions, and can be guaranteed for measurements carried out in the same conditions, or carried out with calibration compensation.



as per **NFC15-100** norm

! 가 가 ,
! (i)



ATT300

3가

- 3 x
3 x 4 ~ 20mA 0 ~10V
2 x 1 x
- 2 x 4 ~ 20mA 0 ~10V RS232*
- 1 x 2 x
- 1 x 4 ~ 20mA 0 ~10V 2 x RS232*

* KIMO (class200/300) RS232 가

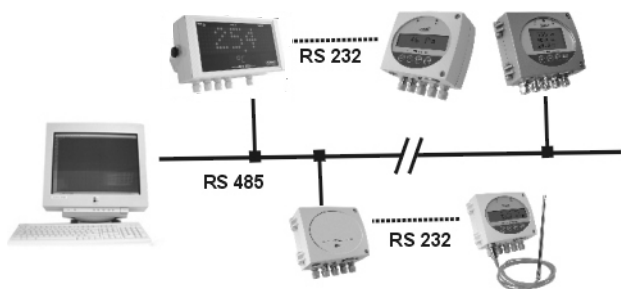


RS 232 communication



- RS232 ATT300
KIMO (class200/300)
- 2 가
- RS232 LCC300 가
- RS232 2m, 5m, 10m

RS485 Modbus



- ATT300 RS485 가
- ATT300 Class200/300 RS485
BMS
- RS485 2-wire 가
- RTU Modbus PLC/BMS 가
- ATT300 Modbus 가
- ATT300 RS485 Modbus 가

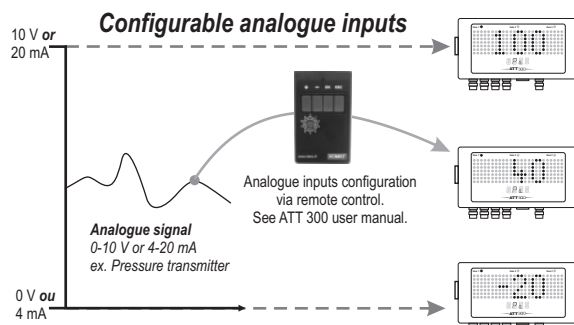
가

()

LCC300 ()
PC

Modbus ()

Acquisition

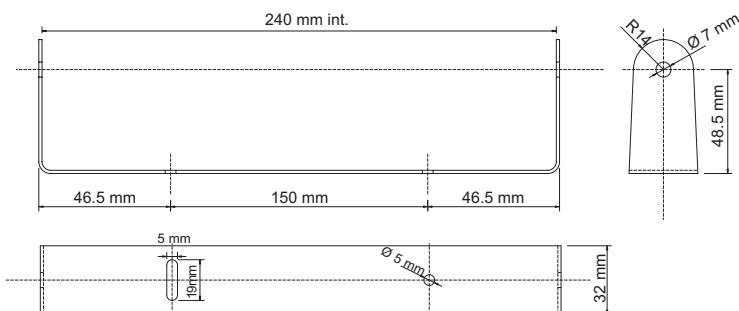


. ATT300

4

7mm)

가



■ LCC 300

(RS232)